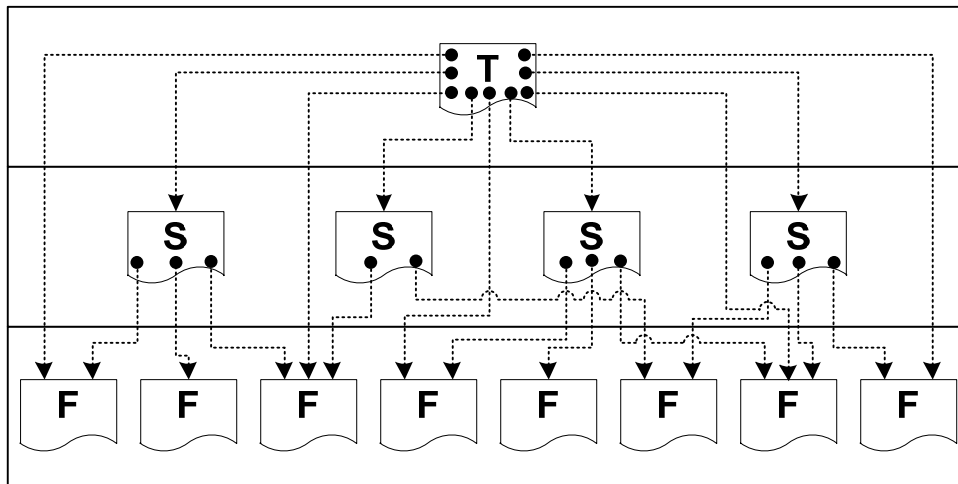
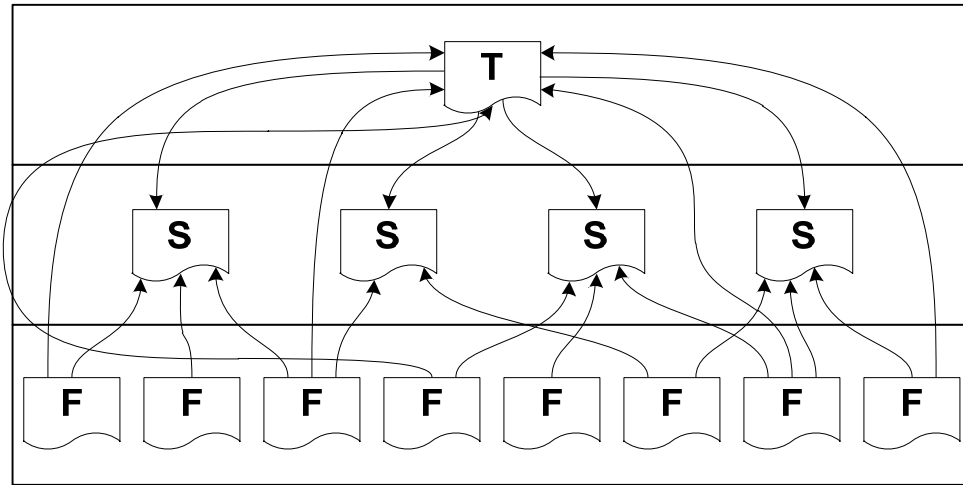


Directions of Relations and Hyperlinks in a Typical Three-Layered Website



Description: The information relations (top) of a three-layered website (with typical theory, synthesis and fact layers) are from bottom to top but the hyperlink model (bottom) is from top to bottom.

Source: Book: *Getting Started on Your Genealogical Website*, Lulu Press (2008)

Created with: Microsoft Visio